
Special Features

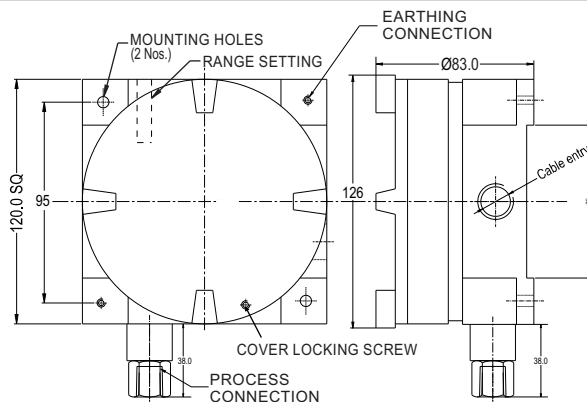
- Atex approved
- High accuracy & repeatability
- SS wetted parts
- Set point locking
- Highly reliable
- Diaphragm seals (optional)

Applications

- Boiler, furnace
- Oil & gas, conventional & nuclear power plants, mines, iron & steel plants, refineries, petrochemical, hydraulic, food & pharmaceutical, chemical & fertilizer, cement, glass, paint, pulp & paper, marine industries and other hazardous applications.

Specifications
Standard Version

Repeatability	:	± 1% F. S.
Accuracy	:	± 1.0% F. S.
Scale unit	:	bar (inside enclosure)
Range	:	Refer "how to order"
Set point	:	Between 20 to 80% F. S. for better performance
Over pressure limit	:	150% of F. S.
Differential	:	Fixed
Mounting	:	Bottom / Panel
Process connection	:	1/4" NPT (F)
Enclosure protection	:	W/P to IP 65 & Explosion proof, Class 1, Div. 2, Gas Groups B, C & D (ExII2G, Eex d IIC T6)
Enclosure material	:	Die cast aluminum
Maximum process temperature	:	150 °C
Ambient temperature	:	-10 to 60 °C
Switch	:	1 SPDT, snap action micro switch
Switch rating	:	15 A, 250 VAC, 0.2 A, 220 VDC
High voltage strength	:	0.5 to 0.6 KV between open contacts and 2 KV between contacts and body
Insulation resistance	:	>100 M ohms at 500 V
Sensing element	:	Piston
Wetted parts	:	AISI 316 SS
Cable gland	:	½"NPT (M) double compression
Conformity	:	BS 6134

Dimensional Details


Notes : • Drawings are not to scale. • All dimensions are in mm.

How To Order		Example
Calibration		
I Increasing	D Decreasing	X
Process Connections (* Please mention the flange face and flange finish)		
	Through Adaptors	Flanged (As per ANSI B 16.5)*
2NM 1/4" NPT (M)	3BM 3/8" BSP (M)	B09 1/2" 150 #
2NF 1/4" NPT (F) (Standard)	3BF 3/8" BSP (F)	B10 1/2" 300 #
	4BM 1/2" BSP (M)	B11 1/2" 600 #
	4BF 1/2" BSP (F)	B15 3/4" 150 #
	4NM 1/2" NPT (M)	B16 3/4" 300 #
	4NF 1/2" NPT (F)	B17 3/4" 600 #
		B21 1" 150 #
		B22 1" 300 #
		B23 1" 600 #
		B33 1 1/2" 150 #
		B34 1 1/2" 300 #
		B35 1 1/2" 600 #
		B39 2" 150 #
		B40 2" 300 #
		B41 2" 600 #
		B51 3" 150 #
		B52 3" 300 #
		B53 3" 600 #
Cable Entry		
DTE 3/4" ET duel entry with one entry plugged	ECB 3/4" ET DCCG brass	DCS 3/4" ET DCCG with one entry plugged
DNP 1/2" NPT (F) with one entry plugged	NPB 1/2"NPT DCCG brass	DPS 1/2" NPT DCCG with one entry plugged
ECS 3/4" ET DCCG SS	ETE 3/4" ET	2NP 1/2" NPT (F)
		NPS 1/2"NPT DCCG SS
Options		
PW Calibration certificate	WM Wall mounting bracket (steel plated)	
SX SS Tag plate	PM 2" Pipe mounting	
TF Conformity as per NACE Standard	JU 2" Pipe/yoke mounting bracket & 'U' Clamp (AISI 304 SS)	
GH Material test certificates***	FN 2" Pipe/yoke mounting bracket & 'U' Clamp (AISI 316 SS)	
SG Oxygen service	AT ATEX Conformity Certificate	
PU Calibration certificate traceable to national/international standards		
Accessories (refer individual datasheet for complete specifications)		
EB Cooling tower	ED Overload protector	EG Snubber
EC Gauge cock	NV4 Needle valve	EH Syphon
DS Diaphragm seals	EL Cooling capillary	VM Manifolds

***Material test certificates will be provided for wetted parts only with chemical composition testing.

For others, please consult factory.

Ordering Example: ZPPX . XXXX . XX . X . XX . XXX . X . XXX . XXX . XX

Note : In 2 SPDT Instruments, there may be an error of max ± 2% F. S. between micro switches at the set point.